

# BEEP THE BUS HANDBOOK

TM & C Winchester Television, 3D Films and CYP Creations 2001. All Rights Reserved

JR049

System 4000

January 2002

All rights reserved. No part of this publication may be reproduced, stored in a retrieval system or transmitted in any form, electronic, mechanical, photocopying, recording or other means without prior written permission from JOLLY ROGER (Amusement Rides) Ltd.

JOLLY ROGER (Amusement Rides) Ltd reserves the right to make changes, for the purpose of product improvement, at any time.

Jolly Roger (Amusement Rides) Ltd. College View Works, Manby Road, Grimoldby, Louth, Lincolnshire, England. LN11 8HE.

Telephone: + 44 (0) 1507 328856  
Fax: + 44 (0) 1507 327060  
E-mail: sales@jolly-roger.co.uk

This handbook was prepared for Jolly Roger (Amusement Rides) Ltd  
by  
Bowne Global Solutions Ltd.,  
Sovereign House, Queensway Court, Arkwright Way,  
Scunthorpe, North Lincolnshire, DN16 1AD,  
England.

# JOLLY ROGER AMUSEMENT RIDES

## CONTENTS

### INTRODUCTION

### WARNINGS AND CAUTIONS

### SAFETY PRECAUTIONS

- 1.1 Health and safety - code of safe practice at fairs - Industry Standards

### INSTALLATION

- 2.1 Siting

### OPERATION

- 3.1 General

### MAINTENANCE

- 4.1 General
- 4.2 Control unit
- 4.3 Coin acceptor (mechanical)
- 4.4 Coin acceptor (electronic) MARS
- 4.5 Electronic coin mechanism MARS - switch positions
- 4.7 Configuration adjustments
- 4.8 Price of Play value or Credit Program Options
- 4.9 Ride Time
- 4.10 Additional ride features
- 4.11 Ride flasher options
- 4.12 Volume adjustment
- 4.13 Access to other components
- 4.14 Drive belt adjustment
- 4.17 Bearings
- 4.18 Fuses
- 4.19 Body and other mouldings
- 4.20 Removal of body shell
- 4.21 Removal of bottom cover
- 4.22 Daily checks

### SPARE PARTS

### Conditions of Business

Annex A Manufacturer's test certificate

Annex B Report of Inspection

Annex C Declaration of Operational Compliance

Annex D EC Declaration of Conformity

Fig.		Page
1	Programmable control unit	8
2	Wiring diagram (rides with 240 Volts supply) - (System 4000)	14
3	Wiring diagram (rides with 110 Volts supply) - (System 4000)	15
4	Wiring diagram - Base to body loom connector (System 4000)	16
5	C15 chassis assembly	18
6	Coin collection assembly (System 4000)	20
7	Body shell assembly	22

# JOLLY ROGER AMUSEMENT RIDES

---

## INTRODUCTION

Thank you for purchasing your new Kiddie Ride from Jolly Roger (Amusement Rides) Limited and we trust it will give many years of trouble-free profitable service.

Whilst this booklet has been produced primarily with our United Kingdom and European customers in mind, it will certainly be of benefit to other users worldwide.

Reference is made to the United Kingdom Health and Safety at Work Act - Code of Safe Practice at Fairs (which specifically includes coin operated Children's Rides), the Industry Standard for the construction, operation and use of coin-operated Children's Rides, and the EC Declaration of Conformity (CE Mark).

The Rides comply with United Kingdom and European Community regulations, and are ETL listed to comply with US Standard UL 22 covering Amusement Games and Canadian standard C22.2 No 68 covering motor-operated appliances.

The rides are designed for intermittent use and the maximum anticipated duty cycle is 30 operations per hour.

The guidance given in this publication is relevant to the safe operation of children's rides wherever they may be operated.

## WARNINGS & CAUTIONS

The international safety sign is used throughout this Handbook where specific safety precautions are detailed. The sign is positioned so that the precautions are readily identifiable.

**WARNING** INTERNATIONAL SAFETY SIGN



**WARNINGS** Warnings call attention to instructions which must be followed precisely to avoid injury or death.

**CAUTIONS** Cautions call attention to instructions which must be followed precisely to avoid.

# JOLLY ROGER AMUSEMENT RIDES

---

## SAFETY PRECAUTIONS

### HEALTH AND SAFETY - CODE OF SAFE PRACTICE AT FAIRS - INDUSTRY STANDARDS

1.1 Our equipment has been manufactured to the highest standard of construction and safety in order to conform to the H.S.E. Fairground and Amusement Parks, A Code of Safe Practice and the U.K. Health and Safety at Work Act 1974.

1.2 This machine must be earthed. (CONNECTED TO GROUND)

1.3 If a 13 Amp BS1363 plug is fitted then a 5 amp fuse should be fitted. (UK only)

1.4 If the ride is to be situated outdoors, the socket outlet supplying the power should be connected by a permanent weatherproof plug protected by a residual current circuit breaker (RCCB) or an Earth Leakage Circuit Breaker (ELCB) having a trip rating not exceeding 30 milliamps in 30 milliseconds.

1.5 In addition to our manufacturer's test and the daily checks every ride shall be subject to a Thorough Examination by an appointed person once every period of 14 months. (UK Health and Safety at Work Act - Code of Safe Practice at Fairs). The regulation applies in the UK only, however it is sound operating practice wherever a ride is operated.

1.6 The appointed person need not be independent, but should be at least 21 years old, registered under the Amusement Device Inspection Procedures Scheme (ADIPS) and be competent by such qualifications, knowledge, experience and supporting services to be able to make an assessment of the safety of the ride, including any associated equipment/parts e.g. electrical, hydraulic or pneumatic.

1.7 The appointed person should have the technical competence to recognise the significance of the effects of stresses, loadings and fatigue and also be competent to determine the extent of permissible wear.

1.8 The Thorough Examination is to be carried out by a registered body in accordance with the regulations laid down in the Health and Safety at Work Act 1974 (Fairgrounds and Amusements Parks-Guidance on Safe Practice, HSG 175). The Report of Inspection (Annex B) is to be completed after the Thorough Examination. (Applicable in UK only).

1.9 On completion of the Thorough Examination, a Declaration of Operational Compliance (DOC) certificate (see Annex C) is to be issued which must be retained for a period of ten years and be available for inspection by the Health and Safety Inspectorate and/or the appropriate officer of the Environmental Health Department of a Local authority. (Applicable in UK only).

#### **WARNING**



**ALWAYS DISCONNECT THE MACHINE FROM THE POWER SUPPLY BEFORE CARRYING OUT ANY SERVICE OR REPAIR.**

1.10 If considered necessary, further protection to the power supply may be afforded by conduit, trunking, or rubber protector strip with tapered edges and non-slip ribbed bases. Care is needed to avoid a tripping hazard.

1.11 The Kiddie Rides should be so sited that the length of cable between the ride and socket outlet is a minimum. For floor mounted socket outlets, the ride may be positioned so that there is virtually no exposed cable.

1.12 Galvanised steel braided armoured cable and flexible copper braided cable cannot be satisfactorily terminated in a 13 amp standard (BS 1363) plug. Such cables can be terminated in industrial type plugs BS 196 or BS 4343 or equivalent, but these require the special suitable sockets. (Applicable in UK only)

# JOLLY ROGER AMUSEMENT RIDES

---

## INSTALLATION

### Siting

2.1 A common sense approach should be adopted when siting Kiddie Rides. The following items are an indication, but not exhaustive:

- 2.1.1 Position the Ride on a level surface.
- 2.1.2 Ensure there is adequate clearance all round the Ride to minimise the risk of injury to the passengers or public.
- 2.1.3 DO NOT obstruct emergency exits.
- 2.1.4 DO NOT obstruct fire appliances, hydrants etc.
- 2.1.5 If sited outside:  
DO NOT operate in adverse weather conditions.

### NOTE

This ride is considered suitable for outdoor protected locations.

### **CAUTION**



For safety reasons the electrical wiring is colour coded as follows:

For rides with 220-240 volt electrical supply, the wiring colour coding is as follows:

Brown - live  
Green/Yellow-earth  
Blue - neutral

For rides with 110-120 volt electrical supply, the wiring colour coding is as follows:

Black - live  
Green - earth  
White - neutral

# JOLLY ROGER AMUSEMENT RIDES

---

## OPERATION

### General

3.1 A coin-operated Kiddie Ride should not be used unless a D.O.C. (see ANNEX C) has been provided, indicating that the device is safe to operate (UK Health and Safety at Work Act - Code of Safe Practice at Fairs). This regulation applies in the UK only.

# JOLLY ROGER AMUSEMENT RIDES

---

## MAINTENANCE

### GENERAL

4.1 The rides do not require any periodic maintenance but, they should be checked regularly to ensure that they are in a safe condition for operation by the general public. In the unlikely event of the need to make adjustments or repairs to the machine, the following procedures are recommended.

### **WARNING**



**ALWAYS DISCONNECT THE MACHINE FROM THE POWER SUPPLY BEFORE REMOVING ANY COVERS OR COIN MECHANISMS.**

### Control unit

4.2 The control unit, which operates at 12 volts, is located at the back of the coin acceptor compartment. To remove/refit the control unit proceed as follows:

4.2.1 Remove the coin acceptor (para 4.3 or 4.4).

4.2.2 Remove the 2 thumb nuts located at each end of the unit.

4.2.3 The control unit may now be removed by pulling it forwards and withdrawing it through the coin acceptor aperture in the cash box assembly.

4.2.4 The mode of operation may now be altered by referring to the basic configuration, as printed on its enclosure, or by referring to the advanced configuration referred to at para 4.7.

4.2.5 Refit the unit by positioning it on the 2 locator bolts and gently pushing it back into place, ensuring that the plugs and sockets connect to each other.

4.2.6 Refit the 2 thumb nuts to ensure a good connection between the plugs and sockets. A poor connection could result in failure of the unit.

### Coin acceptor (mechanical)

4.3 To remove/refit the coin acceptor proceed as follows:

4.3.1 Remove the coin acceptor by turning the lock situated on the faceplate - the coin acceptor can now be removed from the machine and the wires pulled off the coin acceptor microswitch if desired.

### NOTE

Ensure that the wires are reconnected on the correct terminals (C and NO).

4.3.2 To remove litter from the coin acceptor, slide off the spring clip on the top of the mechanism and remove side plate, then remove any litter or obstruction.

4.3.3 Refit the coin acceptor in reverse order to removal, ensuring that the pins on the main coin acceptor body locate in the dimples on the side plate.

4.3.4 Adjusting screws for coin diameter and thickness are also located on the side plate, these are factory set and should not normally require alteration.

# JOLLY ROGER AMUSEMENT RIDES

---

## Coin acceptor (electronic) MARS

4.4 To remove/refit the coin acceptor proceed as follows:

4.4.1 Remove the coin acceptor by turning the lock situated on the faceplate and disconnect the cable plug from the printed circuit board on the mechanism - the coin acceptor can now be removed from the machine.

4.4.2 To remove litter from the coin acceptor, pull the hinged side plate sideways and remove any litter or obstruction. Release hinged side plate.

4.4.3 Refit the coin acceptor in reverse order to removal, ensuring that the cable plug is reconnected to the printed circuit board on the mechanism.

### NOTE

Never remove or replace an electronic mechanism with the power supply switched ON.

## Electronic coin mechanism MARS - switch positions

4.5 To inhibit coins: -

With machine switched on:

4.5.1 Set slide switches as follows, 1 = ON, 2 = ON, 3 = OFF, 4 = ON.

4.5.2 Press reject button within 20 seconds of setting slide switches.

4.5.3 Insert all coins to be inhibited.

4.5.4 Press reject button within 20 seconds of inserting coins. Inhibited coins should now be rejected.

4.6 To re-enable inhibited coins:

With machine switched on:

4.6.1 Set slide switches as follows, 1 = ON, 2 = ON, 3 = OFF, 4 = OFF

4.6.2 Press reject button within 20 seconds of setting slide switches.

4.6.3 Insert all coins to be re-enabled.

4.6.4 Press reject button within 20 seconds of inserting coins as above. Previously inhibited coins should now be accepted.

### NOTE

Mechanism must be powered up before changing switch positions. Switch positions must be moved prior to attempting either of the above.

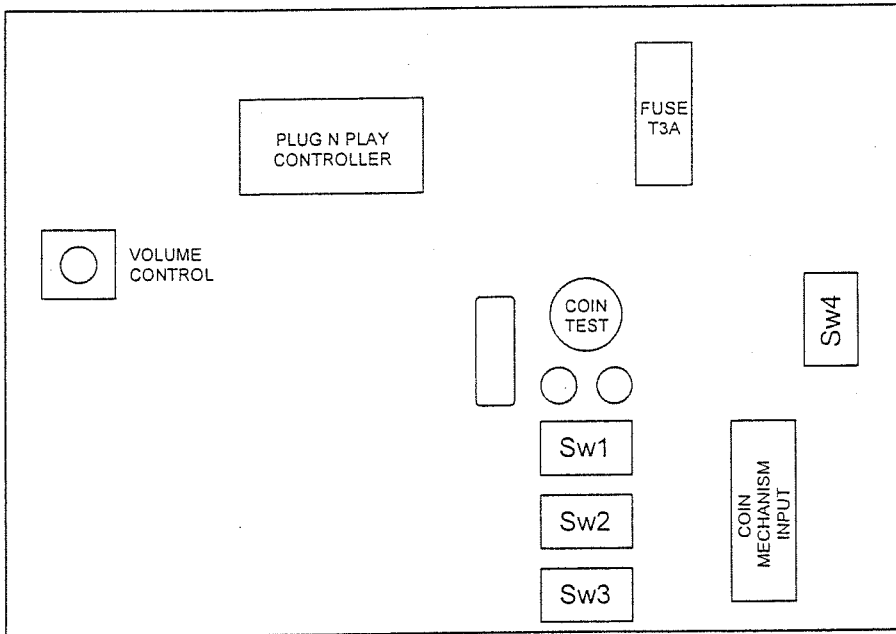
# JOLLY ROGER AMUSEMENT RIDES

## Configuration adjustments

4.7 The programmable control unit has four externally accessible DIL switches, SW1, SW2, SW3 and SW4, which are used to select the most popular modes of operation.

## NOTES

1. It is advisable to remove the control unit from the ride, as this will assist viewing the switches. Refer to para 4.2 for removal of the control unit.
2. All alterations to these switches should only be made after power to the ride has been turned off, as this will avoid any unintentional damage to the control unit and/or the ride.



JR419

Fig 1 Programmable Control Unit

# JOLLY ROGER AMUSEMENT RIDES

## Price of Play value or Credit Program Options.

4.8 SW1 sets the Price of Play value or Credit Program Options.

### NOTES

1. The setting for either "price of play" or "credits" on SW1 as shown below are selected using SW3/S4 as shown in SW3 settings below.

i.e. SW3/S4 must be set to on if "Price of Play" options are required.

SW3/S4 must be set to off if "Credit Programs" are required.

2. The Price of Play refers to multiples of the Base Coinage (or Pulses) that the coin mechanism has been programmed to accept or deliver:

- UK Mechanism. The mechanism is programmed for a 10p base and gives play values from 10p (min) to £2.00 (max).

- USA Mechanism. The mechanism is programmed for a 25c base and gives play values from 25c (min) to \$3.75 (max).

### SW1

S1	S2	S3	S4	Price Of Play Selected	Or	Pre - Programmed Credit Options Available
on	off	off	off	1 Coin	Or	30 P 1 RIDE    50 P 2 RIDES    £1 5 RIDES
off	on	off	off	2 Coin	Or	20 P 1 RIDE    50 P 3 RIDES
on	on	off	off	3 Coin	Or	40 P 1 RIDE    £1 3 RIDES
off	off	on	off	4 Coin	Or	50 P 1 RIDE    £1 3 RIDES
on	off	on	off	5 Coin	Or	60 P 1 RIDE    £1 2 RIDES    £2 5 RIDES
off	on	on	off	6 Coin	Or	10 P 1 RIDE    30 P 4 RIDES
on	on	on	off	7 Coin	Or	£1 1 RIDE    £2 3 RIDES
off	off	off	on	8 Coin	Or	£2 1 RIDE
on	off	off	on	9 Coin	Or	20 P 1 RIDE    40 P 3 RIDES
off	on	off	on	10 Coin	Or	10 P 1 RIDE    20 P 3 RIDES
on	on	off	on	11 Coin	Or	
off	off	on	on	12 Coin	Or	
on	off	on	on	13 Coin	Or	
off	on	on	on	14 Coin	Or	Free Play For Exhibition Or Test Use
on	on	on	on	15 Coin	Or	Programmable By User

# JOLLY ROGER AMUSEMENT RIDES

## Ride time

4.9 SW2 is used to set the ride time. The ride time can be set from 30 seconds to 120 seconds in 15 second increments or to run for as long as the main background soundtrack.

### SW2

Ride Time	S1	S2	S3	S4
30 secs	off	off	off	OFF
45 secs	on	off	off	OFF
60 secs	off	on	off	OFF
75 secs	on	on	off	OFF
90 secs	off	off	on	OFF
105 secs	on	off	on	OFF
120 secs	off	on	on	OFF
Ride time set to soundtrack	on	on	on	OFF

## NOTE

S4 is used for a diagnostic test sequence during manufacture and under normal operating conditions is not used and must be set to the OFF position.

## Additional ride features

4.10 SW3 selects additional ride features.

### SW3

	S1	S2	S3	S4
Prompt phrases On/Off	On/Off	x	x	x
Attract sounds On/Off	x	On/Off	x	x
Count no. of Rides	x	x	On	x
Count No. of Coins (coin mech. Base coin value)	x	x	Off	x
Select <i>Price of Play</i> options	x	x	x	On
Select <i>Credit Program</i> options	x	x	x	Off

# JOLLY ROGER AMUSEMENT RIDES

## Ride flasher options

4.11 SW4 selects the ride flasher options.

### SW4

	S1	S2	S3	S4
1 Channel flasher output	Off	Off	x	Off
2 Channel running flasher outputs	On	Off	x	Off
3 Channel running flasher outputs	Off	On	x	Off
4 Channel running flasher outputs	On	On	x	Off
Standard flasher speed	x	x	Off	Off
Fast flasher speed	x	x	On	Off

### NOTE

S4 is used to select "Program Mode" and under normal operating conditions is not to be used and must be set to the OFF position. "Program Mode" should only be used by experienced operators familiar with the extended programming sequence, or under direct instruction from Jolly Roger (Amusement Rides) Ltd., or Stamar Electronics.

## Volume adjustment

4.12 Access to the volume control knob is gained by removing the coin mechanism (para 4.3 or 4.4) and is adjusted by turning the control knob on the timer which is located on the back wall of the compartment.

## Access to other components

4.13 Access to the Power supply unit (PSU), main fuses and other components on the chassis is gained by removing the bottom cover (para 4.21).

## Drive belt adjustment

4.14 The "final drive" belt is adjusted by loosening the 4 bolts holding the camshaft bearings and sliding the whole assembly to adjust.

### NOTE

This belt should run tight.

4.15 The "countershaft" belt is adjusted by loosening the 4 bolts holding the motor and sliding the motor to adjust.

### NOTE

This belt should run quite loose.

4.16 Both belts are correctly tensioned during manufacture and should not require adjustment.

## Bearings

4.17 All bearings are greased for life and should normally not be re-packed with grease. However, in certain circumstances the bearings may require lubrication. If this situation arises, apply grease sparingly.

# JOLLY ROGER AMUSEMENT RIDES

---

## Fuses

4.18 Fuses are located in the side of the PSU. Never replace fuses with a higher value than recommended.

## Body and other mouldings

4.19 Clean with damp cloth rinsed out in soapy water, do not hose down or flood the machine. Alternatively, a proprietary household furniture cleaner may be used.

## Removal of body shell

### NOTE

Refer to Figure 7 in Spare Parts section for item numbers.

4.20 To remove the body shell

4.20.1 Remove the nuts (Fig 7 item 5) and washers (Fig 7 item 4) situated under the body shell, which attach the body to the chassis.

4.20.2 Disconnect the electrical wiring underneath the body shell by undoing the plug and socket connector.

4.20.3 Remove body shell.

## Removal of bottom cover

4.21 To remove the bottom cover proceed as follows

**CAUTION** Care is to be taken when carrying out step  
4.21.1



4.21.1 Turn ride on to its side.

4.21.2 Remove the 4 hexagon retaining screws that secure the bottom cover.

4.21.3 Refit in reverse order to the removal.

## Daily checks

4.22 A check of each coin-operated Kiddie Ride should, whenever reasonably practical, be carried out each day before it is made available for the public. The following checks are recommended: -

4.22.1 Check that the mains plug is undamaged and securely attached to the mains cable.

4.22.2 Check that the mains cable is undamaged.

4.22.3 Check that there are no broken or damaged parts of the ride that may cause injury.

4.22.4 Check that all guards are in place thus preventing any access to the mechanism.

4.22.5 Apply pressure to the ride to ensure that it is firmly secured to the base stem and check that all advisory literature is in place.

## JOLLY ROGER AMUSEMENT RIDES

---

4.22.6 Ensure the area around the ride is free from obstruction and that persons passing by are not in any danger.

4.22.7 The ride should be kept clean and free from any customised additions unless approved by the manufacturer.

4.23 If as a result of the above visual checks any doubt arises, then the company, supplier or person responsible for the ride should be notified immediately.

# JOLLY ROGER AMUSEMENT RIDES

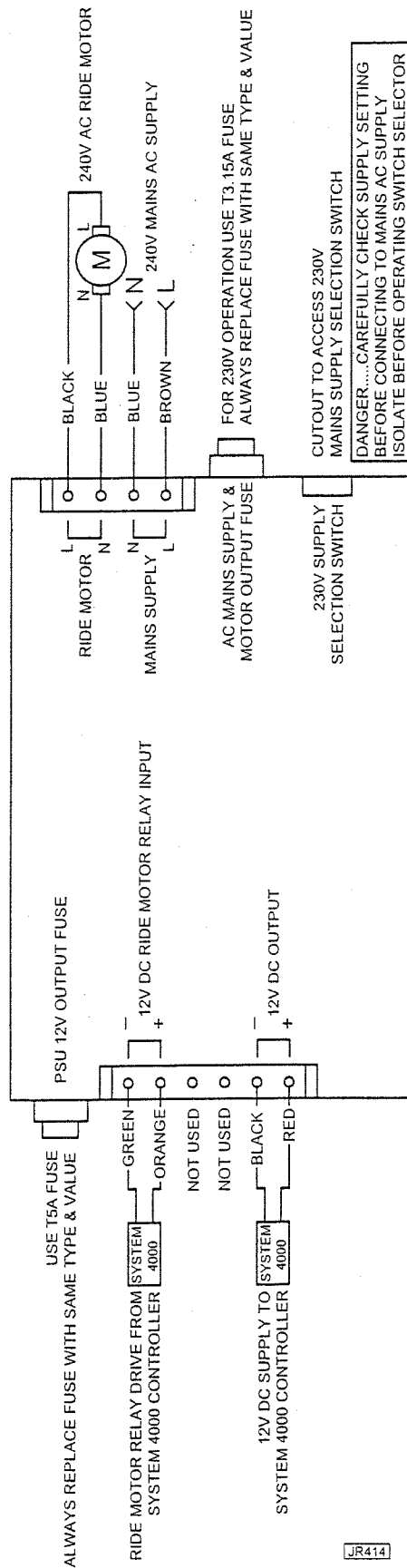
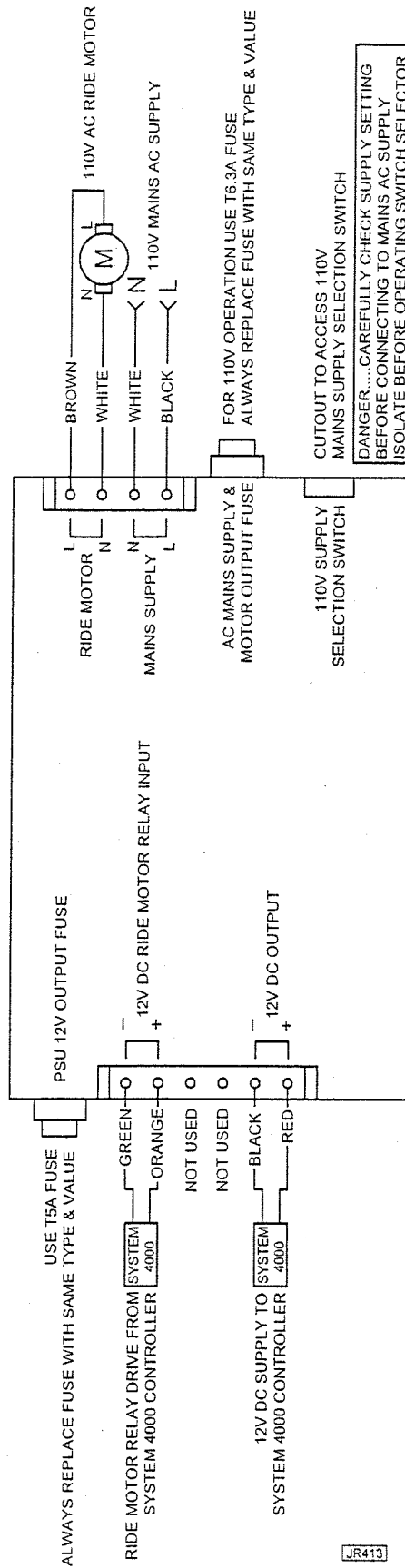


Fig 2 Wiring diagram (rides with 240 Volts supply) - (System 4000)

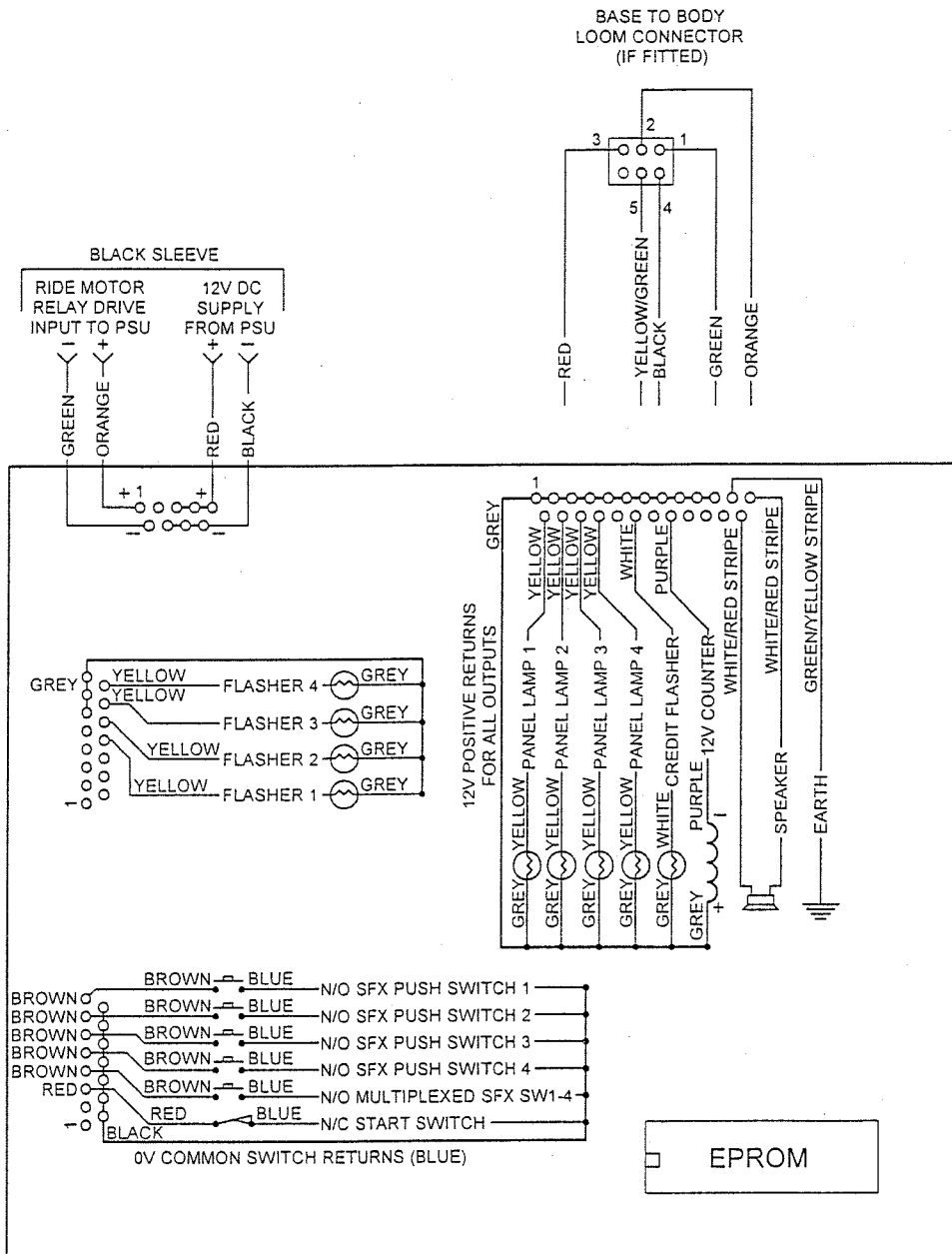
# JOLLY ROGER AMUSEMENT RIDES



JR413

Fig 3 Wiring diagram (rides with the 110 Volts supply) - (System 4000)

# JOLLY ROGER AMUSEMENT RIDES



JR415

Fig 4 Wiring diagram cash box - Base to body loom connector (System 4000)

# JOLLY ROGER AMUSEMENT RIDES

---

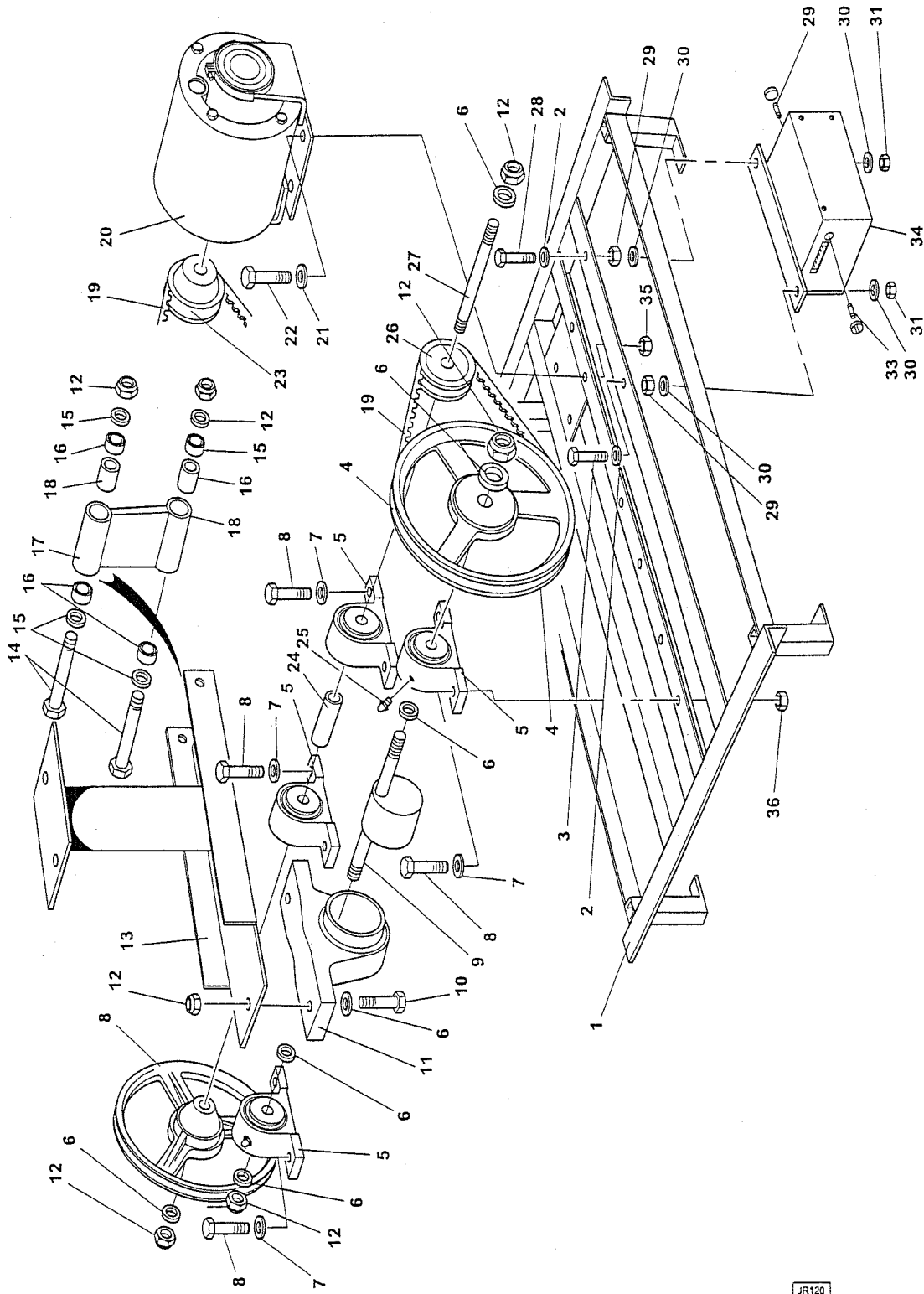
## SPARE PARTS

1. The machine serial number (if given) on the reference plate must always be quoted.
2. Quote the full part number and description as set out in the list.
3. State precisely how parts are to be despatched.  
Home: By post, carrier or road transport.  
Overseas: By sea freight, airmail or air freight.
4. Keep orders separate from other correspondence.
5. Foreign orders must be sent through our accredited agent, an established London House, or accompanied by a remittance.
6. Replacement parts which are not of genuine Jolly Roger supply, cannot be relied upon to be to the correct specification, material or workmanship. Jolly Roger therefore cannot be expected to extend their Warranty to Kiddies Rides which have been fitted with parts which Jolly Roger has not supplied.
7. Jolly Roger reserve the right to make changes or improvements in the construction or specification of their products at any time.

### Conditions of Business

1. Particulars given in this list are subject to withdrawal and alteration without notice.
2. All quotations are subject to confirmation before acceptance of order.
3. All goods are supplied on the conditions that Jolly Roger shall not be liable for any direct or consequential damage arising from delay in delivery or from defective material, other than is covered by our usual form of guarantee.
4. Whilst every effort is made to ensure the accuracy of the particulars contained in this book, modifications and specification changes to the Kiddies Ride are on-going. These may affect the information specified. No responsibility is accepted for the incorrect supply of parts or any other consequence that may arise as a result of information in this book not being in accord with modifications or Kiddies Ride specification changes which are subsequent to the date of this book. Also, no responsibility is accepted for the incorrect supply of parts or any other consequence that may arise as a result of any misinterpretation of the information specified in this parts book.

# JOLLY ROGER AMUSEMENT RIDES



JR120

Fig 5 C15 chassis assembly

## JOLLY ROGER AMUSEMENT RIDES

### Parts list - C15 chassis assembly

† Item not illustrated

Item No	Part No	Description	QTY
-	3000018	C15 Chassis assembly, comprising:	-
1	3100014	Chassis	1
2	7600000	Washer, M6	2
3	7000203	Bolt, cap head, hexagon socket, M6 x 25	1
4	8000000	Pulley, 224 SPA x 12 mm x 1A	2
5	6000000	Housing, bearing assembly, NP12	4
6	7600300	Washer, M12	10
7	7600200	Washer, M10	8
8	7000604	Bolt, M10 x 35	8
9	8200000	Camshaft	1
10	7000707	Bolt, M12 x 50	2
11	6000001	Housing, bearing assembly, SL40	1
12	7700300	Nut, M12, Nyloc	6
13	3200000	Arm, top	1
14	7000900	Bolt, precision, M12 x 110	2
15	9050000	Shim, M12	4
16	6100000	Bearing, 6001 ZZ	4
17	3200001	Arm, pivot	2
18	9000002	Spacer, 60 mm long	2
19	8100000	Belt, vee, A 33 (A 870)	2
20	2000001	Motor, 220/240 volts 50 Hz	1
-	2000000	Motor, 110 volts 60 Hz (alternative)	1
21	7600100	Washer, M8	4
22	7000503	Bolt, M8 x 25	4
23	8000001	Pulley, 43 SPA x 1/2 in x 1A	1
24	9000003	Spacer, 89 mm long	1
25	9100000	Nipple, grease	5
26	8000002	Pulley, 43 SPA x 1/2 in x 1A	1
-	2000000	Motor, 110 volts 60 Hz (alternative)	1
27	8210000	Countershaft	1
28	7000204	Bolt, cap head, hexagon socket, M6 x 30	1
29	7700001	Nut, M6	2
30	7600001	Washer, M6 x 25 dia	6
31	7700000	Nut, M6, Nyloc	2
32	2400004	Fuse main, T3.15A	1
-	2400007	Fuse main, T6.3A (alternative for 110-120V 60Hz)	1
33	2400006	Fuse, output, 12 volt T5A	1
34	2100011	Power supply unit	1
35	7700100	Nut, M8, Nyloc	4
36	7700200	Nut, M10, Nyloc	8
-	† 5120001	Castor, 2 inch	2

Note: Refer to manufacturer when ordering items from this list

# JOLLY ROGER AMUSEMENT RIDES

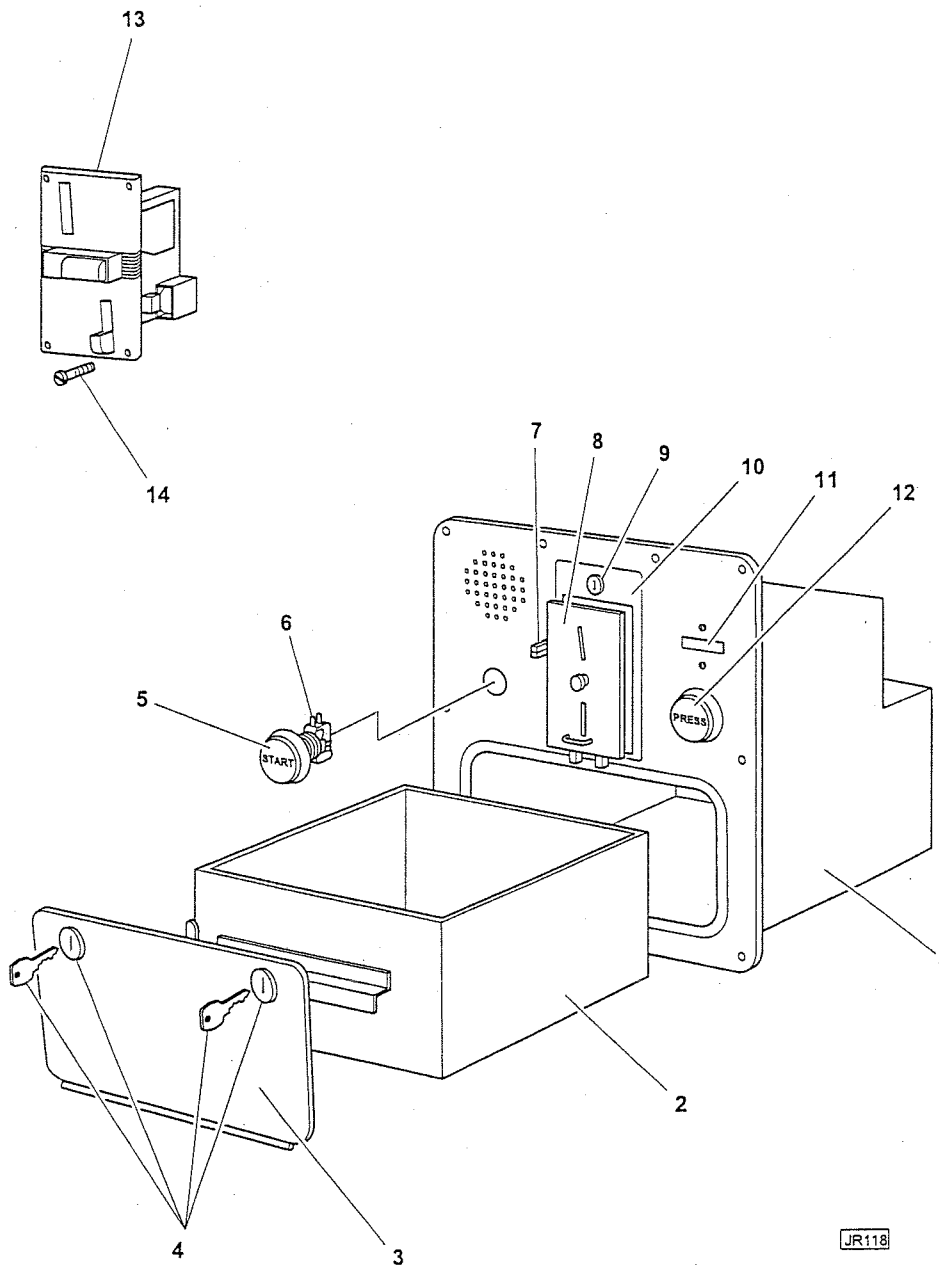


Fig 6 Coin collection assembly (System 4000)

## JOLLY ROGER AMUSEMENT RIDES

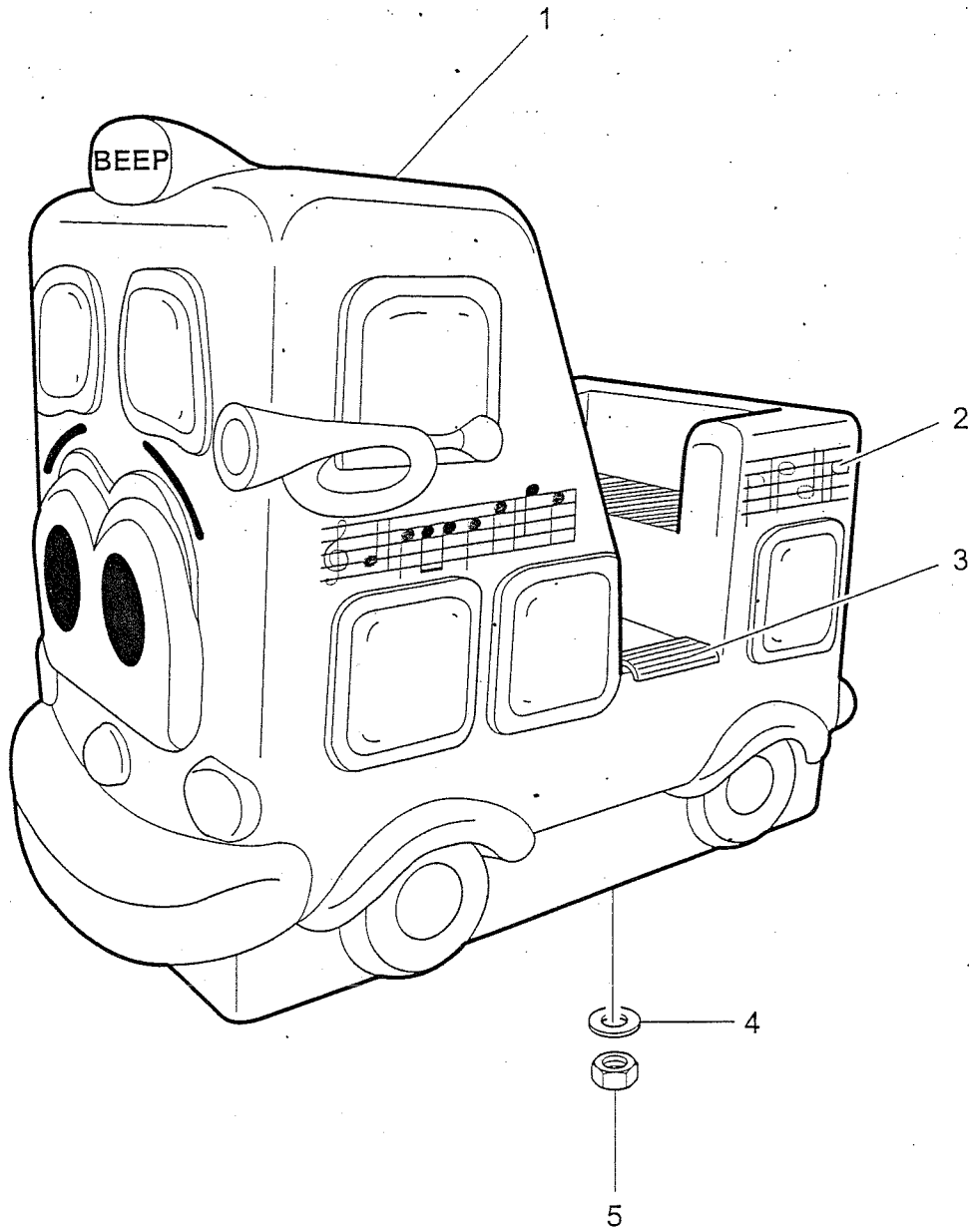
Parts list - Coin collection assembly (System 4000)

† Item not illustrated

Item No	Part No	Description	QTY
-	4000006	Coin collection assembly comprising:	-
1	4100020	Housing	1
2	4100001	Cash box	1
3	4100021	Door	1
4	9300006	Lock, complete with keys	2
5	2520008	Switch, pushbutton, round, START, green	1
-	† 2920008	Bulb, 2.2 watt, wedge	1
6	2520010	Microswitch	1
7	2500000	Microswitch, coin acceptor	1
8	4200008	Coin acceptor	1
9	9300004	Lock complete with keys	1
10	4200009	Plate, coin acceptor	1
11	2100009	Counter, coin impulse (fitted internally)	1
12	2520009	Switch, pushbutton, round, PRESS, red	1
-	† 2920008	Bulb, 2.2 watt wedge	1
-	† 2520010	Microswitch	1
13	4200005	Coin acceptor, electronic assembly (optional) comprising:	1
-	† 4200006	Mechanism, electronic coin acceptor	1
-	† 4200007	Wiring loom, electronic coin acceptor	1
14	7200000	Screw, cap head, M4 x 20	4
-	† 2600000	Loudspeaker	1

**Note:** Refer to manufacturer when ordering items from this list.

# JOLLY ROGER AMUSEMENT RIDES



JR349

Fig 7 Beep The Bus Body Shell Assembly

## JOLLY ROGER AMUSEMENT RIDES

---

### Parts list - Beep The Bus Body Shell Assembly

† Item not illustrated

Item No	Part No	Description	QTY
-	1080058	Body shell assembly, comprising:	
1	1100058	Body moulding	1
2	1700058	Decal set	1
3	1300055	Step edge	1
	† 1300065	Foot tread	1
4	7600200	Washer, M10	2
5	7700200	Nut, M10	2

**Note:** For coin acceptor and cash box details see coin collection assembly parts list

**Note:** Refer to manufacturer when ordering items from this list

# JOLLY ROGER AMUSEMENT RIDES

---

THIS PAGE NOT USED

# JOLLY ROGER AMUSEMENT RIDES

---

## MANUFACTURER'S TEST CERTIFICATE

Name/Type of Ride - Beep The Bus

Serial Number

Date of Manufacture

Date of Sale

We certify that we have manufactured and tested the aforementioned coin-operated Children's Ride in accordance with the BACTA Industry Standard, the HSE Fairgrounds and Amusement Parks A Code of Safe practice, the Health and Safety at Work Act 1974. (All applicable in the United Kingdom).

This certificate is valid for a period of twelve months from the date of test shown below after which time a new certificate must be obtained. (Applicable in the United Kingdom only). THIS CERTIFICATE DOES NOT EXONERATE THE OPERATOR FROM REGULAR CHECKING AND MAINTENANCE OF THE MACHINE TO WHICH IT APPLIES.

Date of Test

Signed

Name

We certify that we have manufactured and tested the aforementioned coin-operated Children's Ride in accordance with United States Standard ANSI/UL22 Tenth Edition and C.S.A. Standard C22.2 No. 68.92 Eighth edition and in particular have carried out tests for Earth bonding and dielectric strength. THIS CERTIFICATE DOES NOT EXONERATE THE OPERATOR FROM REGULAR CHECKING AND MAINTENANCE OF THE MACHINE TO WHICH IT APPLIES

Date of Test

Signed

Name

Jolly Roger (Amusement Rides) Ltd. College View Works, Manby Road, Grimoldby, Louth, Lincolnshire, England. LN11 8HE

Telephone (01507) 328856 Telex 56369 NTHLE G Telefax (01507) 327060

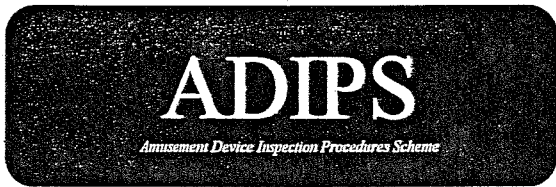
E-mail: sales@jolly-roger.co.uk

# JOLLY ROGER AMUSEMENT RIDES

---

THIS PAGE NOT USED

JOLLY ROGER AMUSEMENT RIDES



# REPORT OF INSPECTION

\*INITIAL TEST      \*THOROUGH EXAMINATION

(Delete \* as appropriate)

CUSTOMER OR FINAL USER ADDRESS		REPORT DATE	
		EXPIRY DATE	
		ORIGINALLY SUPPLIED TO	
NAME OF RIDE	BEEP THE BUS	ADDRESS	
TYPE OF RIDE			
SERIAL No		NAME OF INSPECTOR	
MANUFACTURER	JOLLY ROGER (AMUSEMENT RIDES) LTD		
DATE OF MANUFACTURE			
NEW, USED, REFURBISHED OR IMPORTED	NEW		

FAILTEST		REPAIRS OR WORK NECESSARY TO ENABLE RIDE TO OPERATE SAFELY
CONDITIONAL PASS		

PASS		I confirm that on the date of this report an inspection of the above device was carried out, with regard to safety I am of the opinion that, at the time of the inspection, the device was safe to use. This confirmation is subject to any remarks made in the box above and assumes the device is used according to instructions in the operators manual, and is properly maintained.

SIGNED..... DATE.....	
-----------------------	--

# JOLLY ROGER AMUSEMENT RIDES

---

THIS PAGE NOT USED

# JOLLY ROGER AMUSEMENT RIDES

## BACTA

### ADIPS

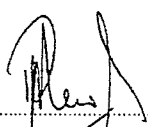
Amusement Device Inspection Procedures Scheme

Declaration of Operational Compliance (D.O.C.)  
of an Amusement Device (Defined as a "CHILDREN'S COIN  
OPERATED RIDE") in accordance with "Fairgrounds and  
Amusements Parks - Guidance on Safe Practice" HSG 175

Controller:	<input type="text"/>	D.O.C. No:	<input type="text"/>
Assn. Memb. No:	<input type="text"/>	Expiry Date no later than:	<input type="text"/>
Assn. Address:	<input type="text"/>	Inspection Body's Ref No:	<input type="text"/>
		Machine No:	<input type="text"/>
Name of Device:	<input type="text" value="BEEP THE BUS"/>	Manufacturer:	<input type="text" value="JOLLY ROGER&lt;br/&gt;(AMUSEMENT RIDES) LTD"/>
Generic Name & Description:	<input type="text" value="COIN - OPERATED&lt;br/&gt;KIDDIE RIDE"/>	Manufacturer's Serial No:	<input type="text"/>
		Date of Manufacture:	<input type="text"/>
		Date of Importation:	<input type="text"/>

I have checked the above device in accordance with the Guidance.

I confirm that details of the inspections including P.A.T.s I require have been notified to me and, subject to the information provided in the associated reports, I issue this Declaration of Operational Compliance. Please note that the responsibility for the safe operation of the device remains with the controller, it is the duty of the controller to ensure the device is properly maintained and checked before first use and afterwards at regular intervals.

Signed.......... Date.....  
Print Name.....R.J. NEWBOROUGH.....

This D.O.C. is issued by and on behalf of:  
Jolly Roger (Amusement Rides) Ltd.  
College View Works,  
Manby Road, Grimsby,  
Louth, Lincolnshire,  
England. LN11 8HE

ADIPS Registration No: 003

# JOLLY ROGER AMUSEMENT RIDES

---

THIS PAGE NOT USED

# JOLLY ROGER AMUSEMENT RIDES

---

Jolly Roger (Amusement Rides) Ltd.

College View Works,

Manby Road,

Grimoldby,

Louth,

Lincolnshire,

England. LN11 8HE

Telephone: + 44 (0)1507 328856

Fax: + 44 (0)1507 327060

E-mail: sales@jolly-roger.co.uk

---

## EC DECLARATION OF CONFORMITY

(Revised 1st January 1997)

**Manufacturer:** As above

### Details of Electrical Equipment

**Type No.:** 2

**Description:** Coin-operated Childrens Ride

**Directives this equipment complies with:** Electromagnetic Compatability Directive 89/336/EEC  
Low voltage directive 72/23/EEC

**Harmonised standards applied in order to verify compliance with Directives:** EN 50081-1:1992  
EN 50082-1:1992  
EN 60335-1:1994

**Test Reported Issued by: Notified / Competent Body**

**Report No.**

J.A.Bearpark Inchcape Testing Services (U.K.) Ltd.

EM207110 Part A

T.Heathcote Rowland Laboratories Ltd.

20584

**Year in which CE mark was affixed:** 1996/7

**Authorised Signatory:**

**Manufacturer**

**Date of Issue**



1st January 1997

**Name:** R.J.Newborough

**Place of Issue**

**Position:** Managing Director

Grimoldby, England

# JOLLY ROGER AMUSEMENT RIDES

---

THIS PAGE NOT USED